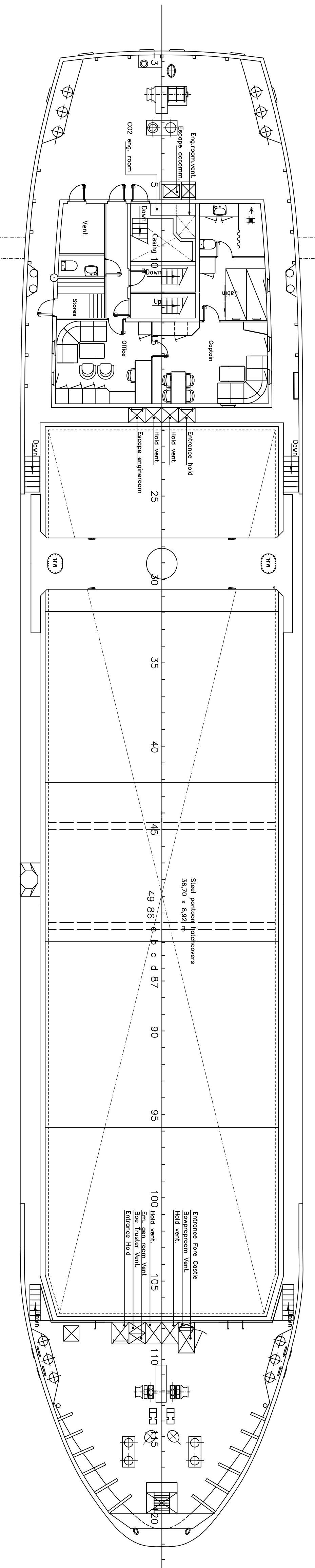


Raised Quarterdeck

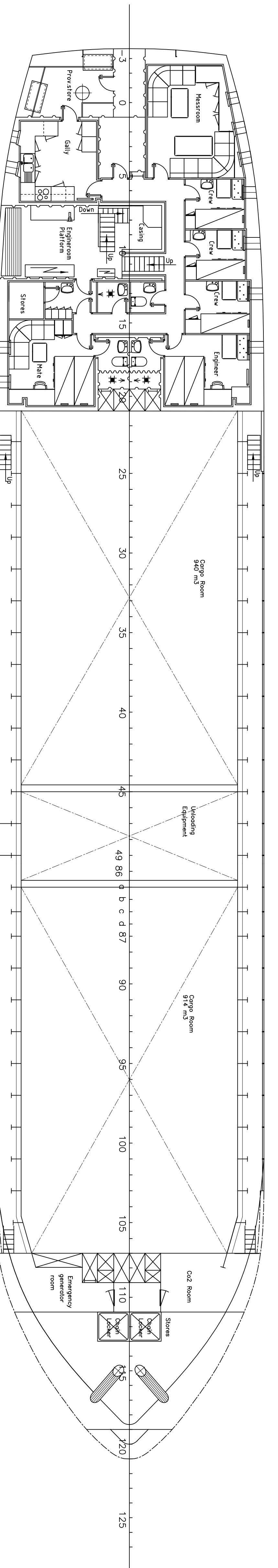
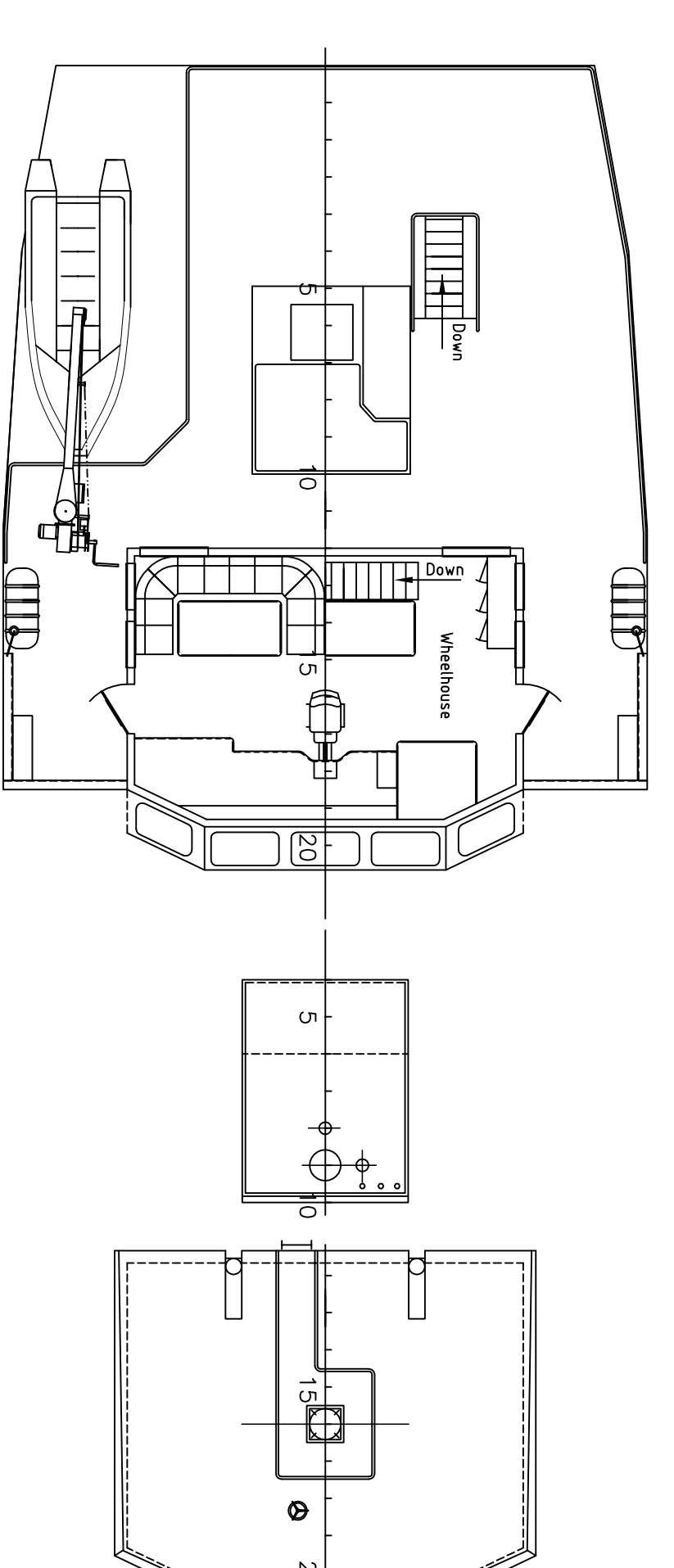
Fore Castledeck

Bridge Deck

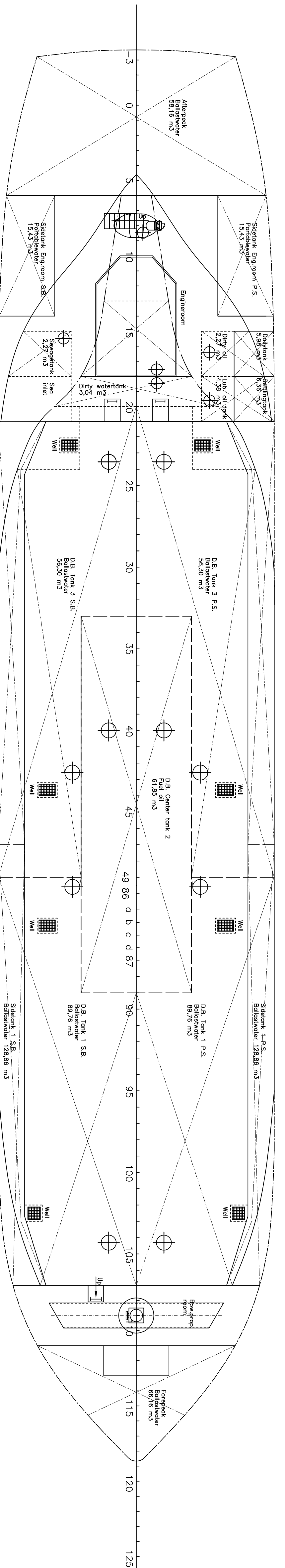
Topdeck



Maindeck



Double Bottom



Principal particulars

Length o.o.	58,60 m
Length b.p.p.	53,60 m
Breadth m.l.d.	11,00 m
Dept maindeck	5,67 m
Draught summer	4,45 m
Deadweight	1300 t
Ballastwater Capacity	698,60 m <sup>3</sup>
Portblaster Capacity	30,20 m <sup>3</sup>
Fuel oil Capacity	70,30 m <sup>3</sup>
Hold Capacity	1834 m <sup>3</sup>

DATE	04.02.2017	ISSUE	1	YARD NO./SIZ	813/1
DATE	04.02.2017	ISSUE	1	SCHIFFSNAME	Björnska 1996
DATE	19.01.2017	ISSUE	1	PROJ. NAME	General Arrangement Single Deck Cargo vessel
DATE	05.10.2017	ISSUE	1	PROJ. NAME	MS BORGHEF JORD
DATE	04.02.2017	ISSUE	1	PROJ. NAME	GENERAL ARRANGEMENT